

- Back**
- o PushPull Power
 - o Flat Cable Connectors SEK
 - o *har-mik®*
 - o D-Sub
 - o InduCom

- **Applications**

Product details

09 73 296 6801

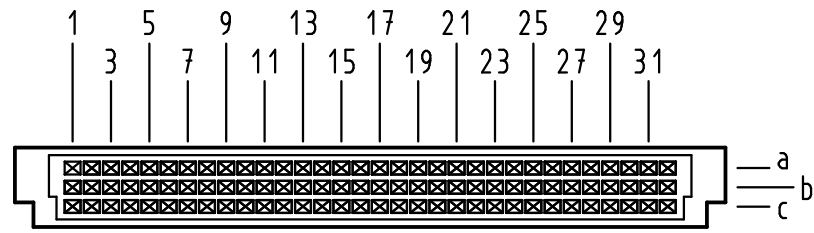
Printed board connector

| | |
|------------------------|--|
| Type | Type R |
| Standard/Inverse | Inverse |
| Contact gender | Female contacts |
| Size | Whole size |
| Number of contacts | 96 poles |
| Contact arrangement | Rows a, b and c |
| Termination | Angled solder pins |
| Termination length | 3.0 mm |
| Performance Class | Performance level 2 as per IEC 60603-2 |
| Contacts | with contacts |
| Row pitch | 2.54 mm |
| Board fixing | Without fixing |
| Current | 2 A max. |
| Clearance/ Creepage | 1.2 / 1.2 mm min. |
| RoHS compliant | Yes |

Inquiry

Alle Rechte vorbehalten/ All rights reserved

Y
Kontaktanordnung
Contact arrangement

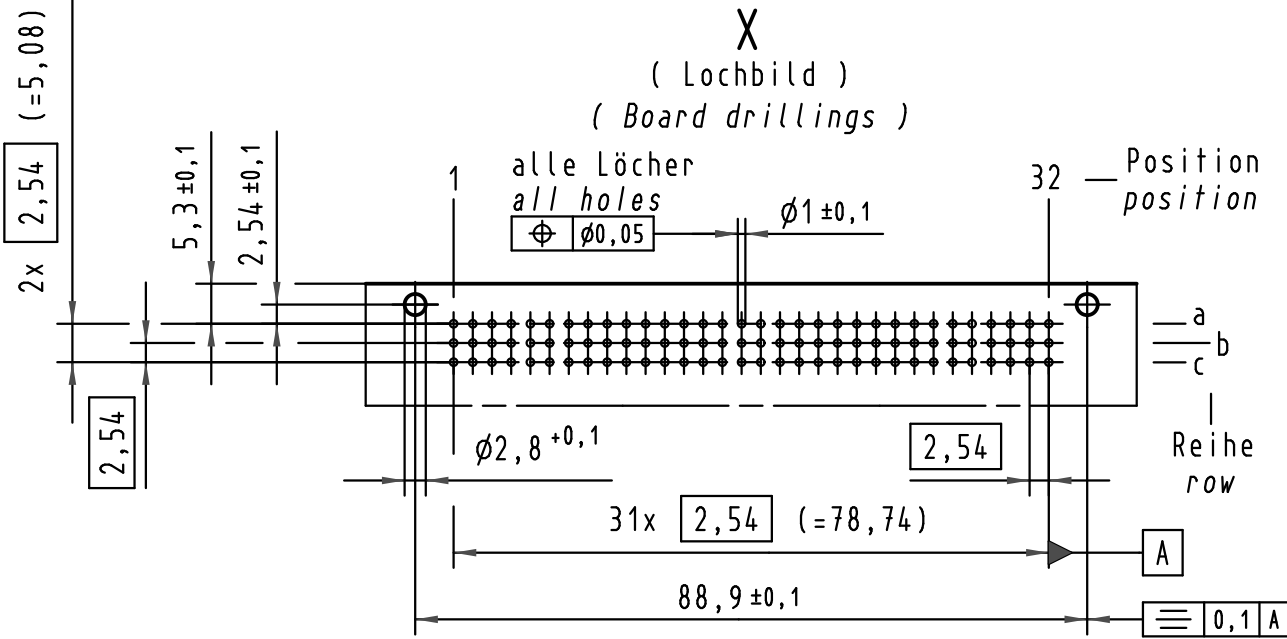


96 Signal Kontakte
96 signal contacts

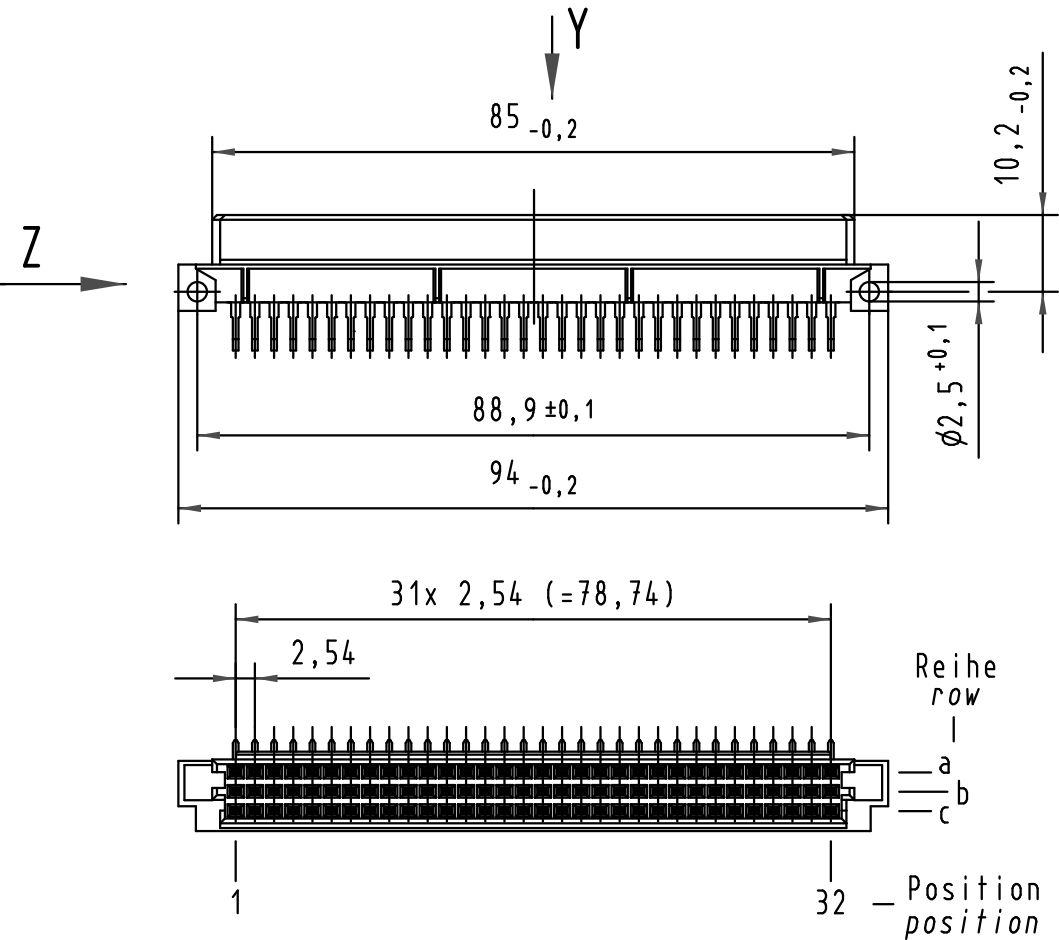
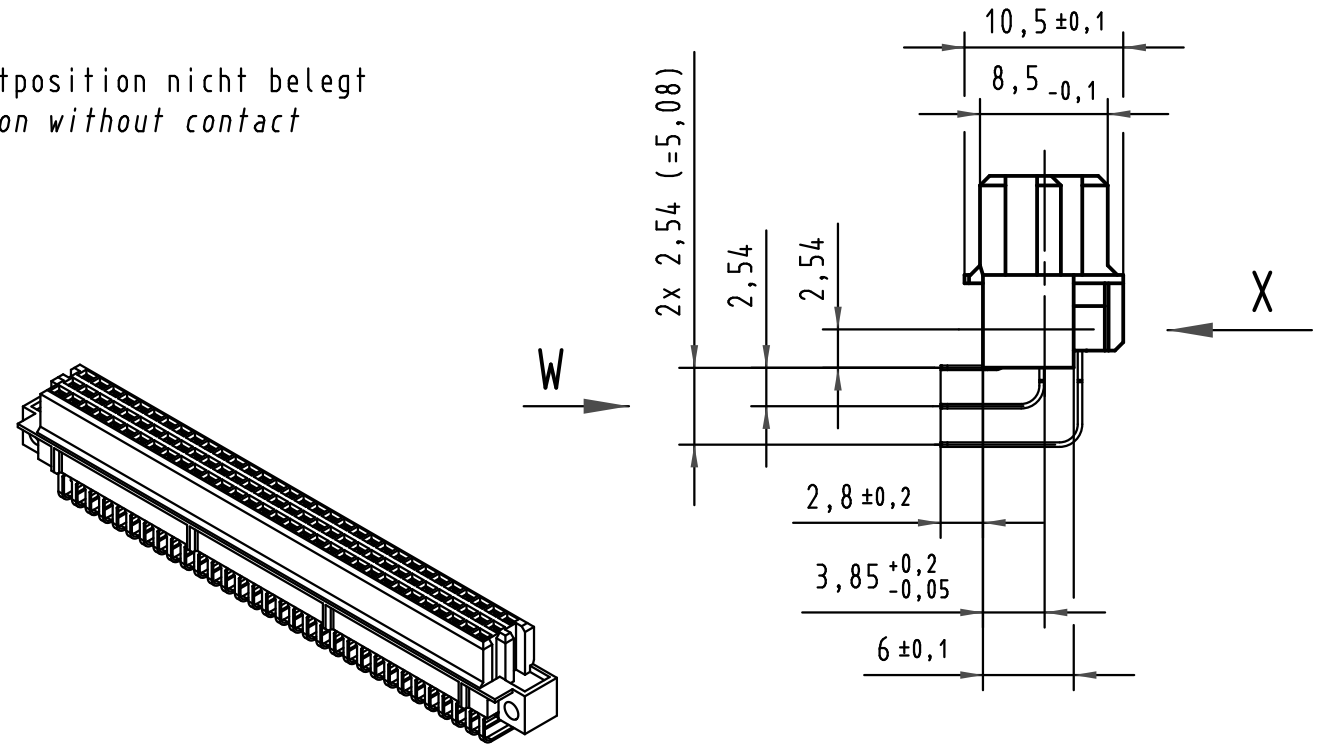
☒ = Kontaktposition belegt
= position with contact

☐ = Kontaktposition nicht belegt
= position without contact

X
(Lochbild)
(Board drillings)



Z
2:1



W
10:1
Querschnitt der Lötanschlüsse:
cross-section of solder terminations:

| | | |
|-------------------------|---|--------------------------------------|
| 09 73 296 <u>7</u> 801 | 3 | Au über/over Ni |
| 09 73 296 <u>6</u> 801 | 2 | Au über/over Ni |
| 09 73 296 <u>2</u> 801 | 1 | Au über/over Ni |
| Bestell-Nr. part-no. | Anforderungsstufe nach IEC performance level acc. to IEC | Kontaktoberfläche contact plating |

| | | | | | | | | |
|---|----------|------|-----------------------------------|----------|------|--|---|-------------|
| All Dimensions in mm Original Size DIN A 3 | | | Techn. Character. | | | Nicht tolerierte Maß/Free size tolerances IEC 60603-2 | | |
| 34038 | 19.03.07 | LehT | | Dat. | Name | 1:1 (2:1) | har-bus R Federleiste Einlöt, 96 pol. har-bus R female connector solder, 96 pol. | |
| 31100 | 18.06.02 | Rie. | Detail. | 17.08.98 | Hm | | | |
| 27553 | 02.02.00 | Rie. | Insp. | 17.08.98 | Ko | | | |
| 26081 | 07.09.99 | Rie. | Stand. | | | | | |
| 25069 | 15.10.98 | Hm | HARTING Electronics GmbH & Co. KG | | | HARTING | TB 09 73 296 x801 | |
| 24614 | | | D-32339 ESPELKAMP | | | | | |
| Mod. | Dat. | Name | | | | | Sub. | Blatt/ page |